

GTH2554 XP

Spare parts

Ersatzteile

Pièces détachées

Reserve onderdelen

Repuestos

Reservdelar

REPAIR PARTS

TRACTOR - - MODEL NO. GTH2554XP (HAU25H54B), PRODUCT NO. 954 17 02-28
ELECTRICAL

| KEY NO. | PART NO. | DESCRIPTION |
|---------|--------------|--------------------------------------|
| 1 | 532 14 49-27 | Battery |
| 2 | 874 76 04-12 | Bolt Hex Head 1/4-20 x 3/4 |
| 8 | 532 12 48-86 | Tray Battery |
| 10 | 532 14 52-11 | Bolt Battery Front 1/4-20 x 7.5 Zinc |
| 11 | 532 15 01-09 | Holddown Battery Front Mount |
| 12 | 532 14 57-69 | Nut Push Nylon 1.4" Battery Front |
| 16 | 532 17 61-38 | Switch Interlock |
| 21 | 532 17 56-88 | Harness Socket Light w/4152J |
| 22 | 532 00 41-52 | Bulb Light |
| 25 | 532 18 54-61 | Cable Battery |
| 26 | 532 10 88-24 | Fuse |
| 27 | 873 51 04-00 | Nut Keps Hex 1/4-20 |
| 28 | 532 17 06-97 | Cable Ground |
| 29 | 532 12 13-05 | Switch Plunger NC Gray |
| 30 | 532 17 55-66 | Switch Ign |
| 33 | 532 14 04-01 | Key |
| 40 | 532 18 80-34 | Harness Ign. |
| 42 | 532 15 43-36 | Cover Terminal Red |
| 45 | 532 17 75-00 | Ammeter |
| 46 | 532 17 75-01 | Hourmeter Snap-In |
| 50 | 532 17 46-51 | Switch PTO |
| 79 | 532 17 52-42 | Bulbholder Asm |
| 81 | 532 10 97-48 | Relay Asm. |

NOTE: All component dimensions given in U.S. inches
1 inch = 25.4 mm

REPAIR PARTS

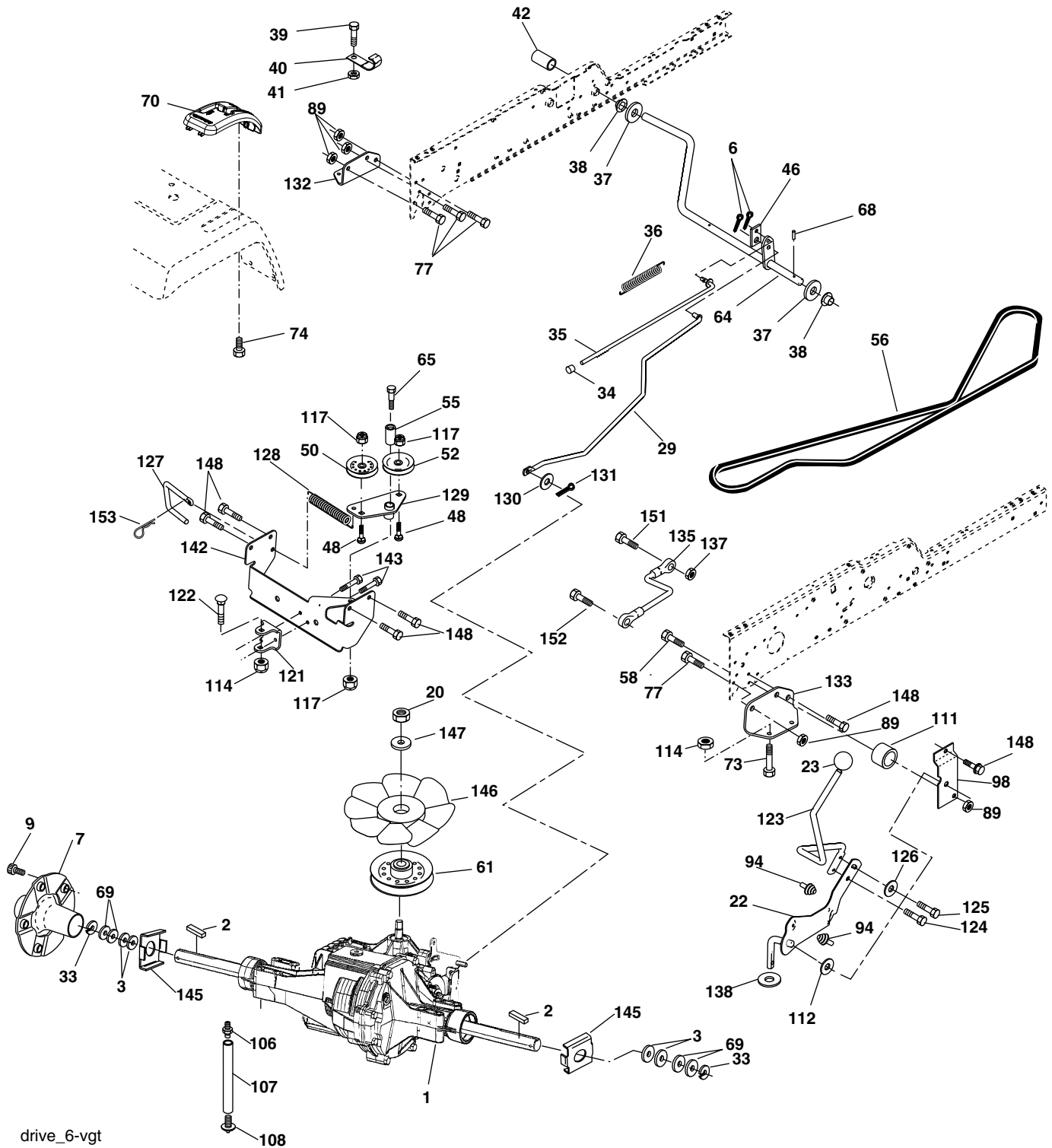
TRACTOR - - MODEL NO. GTH2554XP (HAU25H54B), PRODUCT NO. 954 17 02-28
CHASSIS AND ENCLOSURES

| KEY NO. | PART NO. | DESCRIPTION | KEY NO. | PART NO. | DESCRIPTION |
|---------|--------------|--------------------------------|----------------|-------------------------|---------------------------------|
| 1 | 532 18 03-75 | Rail Kit RH | 58 | 532 18 35-69 | Bracket Asm., Fender |
| 2 | 532 17 52-82 | Drawbar Gt | 68 | 817 49 05-08 | Screw 5/16-18 x 1/2 |
| 5 | 532 18 90-25 | Dash Plastic | 84 | 532 18 81-64 | Upstop |
| 6 | 532 15 78-82 | Dash 1PCS Lower | 86 | 874 78 07-20 | Bolt Hex 7/16-14 x 1 1/4 Gr. 5 |
| 7 | 817 72 04-08 | Screw Thd Cut 1/4-20 x 1/2 | 91 | 532 18 03-74 | Rail Kit Lh |
| 8 | 532 18 46-68 | Support Battery | 99 | 532 17 71-43 | Rod Asm. Bypass |
| 14 | 532 19 00-55 | Hood Asm. Pnt | 122 | 532 16 14-64 | Screw Hex WSHD 8-18 x 7/8 |
| 15 | 532 16 18-41 | Lens LH | 130 | 532 17 18-75 | Screw Hw Hd Hi-Lo #13-16 x 3/4 |
| 16 | 532 12 17-94 | Cover Access | 138 | 532 18 17-98 | Cupholder |
| 17 | 817 00 06-12 | Screw 3/8-16 x 3/4 | 139 | 532 17 18-73 | Bolt Shoulder 5/16-18 |
| 18 | 532 18 28-73 | Grille | 142 | 532 16 18-97 | Bracket Dash Stealth RH |
| 19 | 819 13 13-12 | Washer 13/32 x 13/16 x 12 Ga. | 143 | 532 17 75-86 | Skirt Grille RH |
| 20 | 874 78 06-16 | Bolt Fin Hex 3/8-16 x 1 Gr. 5 | 144 | 532 16 19-00 | Bracket Dash Stealth LH |
| 21 | 873 80 06-00 | Nut Lock Hex w/Ins 3/8-16 unc | 146 | 532 17 75-87 | Skirt Grille LH |
| 24 | 532 18 10-58 | Footrest RH | 148 | 532 16 46-55 | Extrusion Bumper |
| 25 | 532 16 18-42 | Lens RH | 150 | 532 19 03-09 | Duct Heat Hood |
| 28 | 532 18 10-57 | Footrest LH | 152 | 532 17 79-56 | Shield Browning |
| 30 | 532 14 50-52 | Saddle | 153 | 532 18 82-12 | Light Box Asm w/Lens |
| 31 | 532 16 14-19 | Bracket Supt 1-pc Vgt Steering | 156 | 817 06 05-12 | Screw 5/16-18 x 3/4 |
| 32 | 532 16 13-27 | Bracket Frame Pivot Lh | 158 | 817 67 06-08 | Screw 3/8-16 x 1/2 |
| 33 | 532 16 13-26 | Bracket Frame Pivot Rh | 159 | 817 00 06-12 | Screw Hexwsh THDR 3/8-16 x 3/4 |
| 34 | 532 17 70-18 | Plate Asm Engine Chassis | 161 | 532 18 17-87 | Consol Fuel Window |
| 35 | 819 11 11-16 | Washer 11/32 x 11/16 x 16 Ga. | 162 | 532 14 24-32 | Screw Hex Wsh Hi-Lo 1/4-1/2 unc |
| 36 | 817 06 05-12 | Screw 5/16-18 x 3/4 | 165 | 532 18 35-54 | Bracket Support Tank |
| 37 | 532 18 17-20 | Fender Pnt. | 166 | 873 68 07-00 | Nut Crownlock 7/16 -14 unc |
| 39 | 532 17 52-78 | Bracket Axle Front | 167 | 532 18 46-72 | Bushing Snap |
| 43 | 532 13 69-39 | Bracket Spnsn Front Lh | 168 | 817 00 06-12 | Screw Hexwsh Thdr 3/8-16 x 3/4 |
| 44 | 532 13 69-40 | Bracket Spnsn Front Rh | 169 | 532 18 85-98 | Bracket Chassis Sway |
| 45 | 532 18 72-70 | Bracket Asm. Susp Chassis | 170 | 532 18 85-58 | Bolt Shoulder |
| 47 | 817 49 06-08 | Screw Thdroi 3/8-16 x 1/2 | | | |
| 50 | 532 17 54-76 | Bracket Chassis Front | | | |

NOTE: All component dimensions given in U.S. inches
1 inch = 25.4 mm

REPAIR PARTS

TRACTOR - - MODEL NO. GTH2554XP (HAU25H54B), PRODUCT NO. 954 17 02-28
GROUND DRIVE



drive_6-vgt

REPAIR PARTS

TRACTOR - - MODEL NO. GTH2554XP (HAU25H54B), PRODUCT NO. 954 17 02-28
GROUND DRIVE

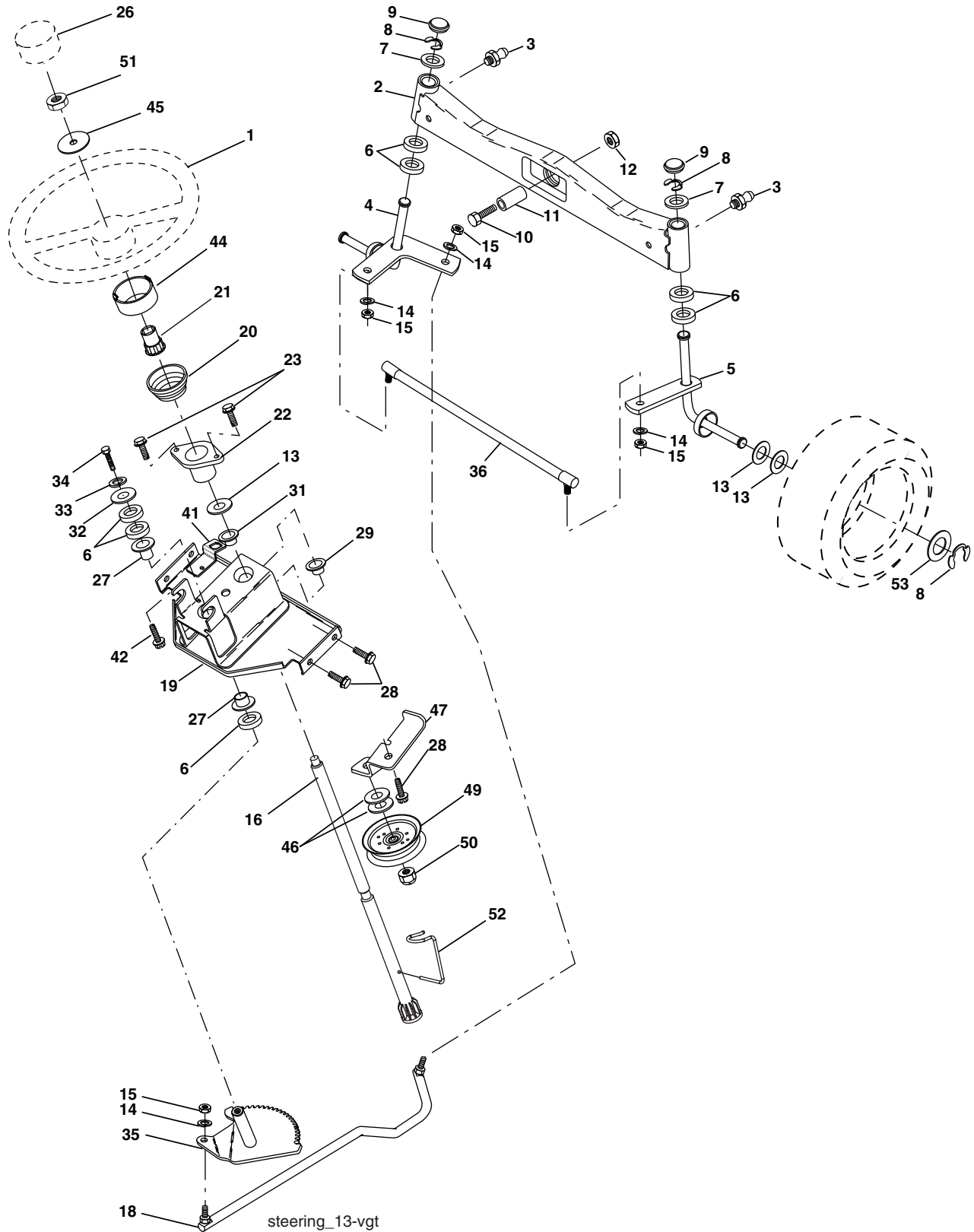
| KEY NO. | PART NO. | DESCRIPTION | KEY NO. | PART NO. | DESCRIPTION |
|---------|--------------|---|---------|--------------|--------------------------------------|
| 1 | ----- | Transaxle Hydro Gear 331-3000 (Order Parts From Transaxle Manufacturer) | 94 | 532 13 38-35 | Fastener Christmas Tree |
| 2 | 532 00 70-70 | Key Sq. 1/4 x 2.5 | 98 | 532 14 10-04 | Bracket Shift |
| 3 | 532 00 75-63 | Washer | 106 | 532 14 29-18 | O-Ring Asm Hydro Gear |
| 6 | 876 02 04-12 | Pin Cotter | 107 | 532 15 47-39 | Line Fuel Hydro 15" VGT |
| 7 | 532 14 05-07 | Wheel Hub Assembly | 108 | 532 14 29-17 | Cap Asm Vent Hydro Gear |
| 9 | 532 14 00-80 | Bolt Hub | 111 | 532 15 62-40 | Spacer Shift Lever VGTH |
| 20 | 873 94 08-00 | Nut | 112 | 532 17 85-58 | Washer Nylon High Temp |
| 22 | 532 18 02-35 | Lever Asm Shift | 114 | 873 80 05-00 | Nut Lock Hex W/Ins 5/16-18 unc |
| 23 | 532 14 08-45 | Knob | 117 | 873 90 06-00 | Nut Lock Flg. 3/8-16 |
| 29 | 532 17 66-00 | Brake Rod | 121 | 532 17 56-11 | Bracket Strap Torque |
| 33 | 812 00 00-53 | Ring E | 122 | 872 01 05-20 | Bolt RDHDSQ 5/16-18 unc x 2-1/2 |
| 34 | 532 07 16-73 | Cap Parking Brake | 123 | 532 18 32-54 | Rod Shift |
| 35 | 532 13 76-48 | Rod Parking Brake | 124 | 532 16 54-92 | Bolt Shoulder 5/16-18 x .561 |
| 36 | 532 14 94-12 | Spring Drive Ground | 125 | 817 49 05-10 | Screw 5/16-18 x 5/8 |
| 37 | 532 12 17-49 | Washer 25/32 x 1-1/4 x 16 Ga. | 126 | 532 16 60-02 | Washer SRRTD 5/16 ID x 1.0 x .125 |
| 38 | 532 15 00-35 | Nyliner | 127 | 532 17 73-62 | Link Control Clutch |
| 39 | 874 32 10-16 | Screw Fin. #10-24 x 1 | 128 | 532 17 66-24 | Spring Drive GRND |
| 40 | 532 17 85-75 | Actuator Interlock VGT | 129 | 532 17 94-73 | Bracket Asm Idler Tensioning |
| 41 | 873 93 10-00 | Nut Centerlock 10-24 unc | 130 | 819 13 10-16 | Washer 13/32 x 5/8 x 16 Ga. |
| 42 | 532 12 47-82 | Cover Pedal | 131 | 876 02 03-12 | Pin Cotter 3/32 x 3/4 |
| 46 | 532 14 51-70 | Retainer Spring | 132 | 532 17 54-67 | Bracket Mtg Hydro 3500 LH VGT |
| 48 | 872 11 06-14 | Bolt Rdhd 3/8-16 x 1.3/4 Gr. 5 | 133 | 532 17 54-68 | Bracket Mtg Hydro 3500 RH VGT |
| 50 | 532 13 14-94 | Pulley Idler Flat | 135 | 532 17 73-64 | Link Asm Control Hydro 3500 |
| 52 | 532 12 77-83 | Pulley Idler Grooved | 137 | 532 12 49-49 | Nut Lock 5/16-18 NC Thd. |
| 55 | 532 10 57-06 | Bearing Idler | 138 | 532 00 13-70 | Washer Thrust 5/8 x 1.10 x 1/32 |
| 56 | 532 16 15-97 | V-Belt | 142 | 532 17 54-69 | Strap Torque HG-3500 |
| 58 | 874 76 07-24 | Bolt Fin Hex 7/16-14 x 1-1/2 | 143 | 817 00 05-12 | Screw Thdrol 5/16-18 x 3/4 |
| 61 | 532 14 39-95 | Pulley Transaxle | 145 | 532 16 31-68 | Washer Axle Flange HG-3000 |
| 64 | 532 17 66-01 | Shaft Brake Pedal | 146 | 532 14 04-62 | Fan 7" Hydro |
| 65 | 532 17 96-13 | Bolt Shoulder | 147 | 532 14 13-22 | Washer |
| 68 | 532 00 51-42 | Pin Roll | 148 | 817 00 06-12 | Screw 3/8-16 x 1-1/4 |
| 69 | 532 12 38-00 | Washer | 151 | 874 76 05-14 | Bolt Hex 5/16-18 x 7/8 |
| 70 | 532 18 17-88 | Console Automatic YT/GT | 152 | 532 17 87-05 | Bolt Hex 5/16 x 1 W/Patch |
| 73 | 874 49 05-48 | Bolt Hex Flghd 5/16-18 x 3 Gr. 5 | 153 | 532 12 47-88 | Spring Retainer |
| 74 | 532 14 24-32 | Screw Hex Wsh. Hi-Lo 1/4-1/2 | | | |
| 77 | 874 78 07-16 | Bolt Fin Hex 7/16-14 x 1 | | | |
| 89 | 873 68 07-00 | Nut Crownlock 7/16-14 unc | | | |

NOTE: All component dimensions given in U. S.
inches 1 inch = 25.4 mm

REPAIR PARTS

TRACTOR - - MODEL NO. GTH2554XP (HAU25H54B), PRODUCT NO. 954 17 02-28

STEERING ASSEMBLY



REPAIR PARTS

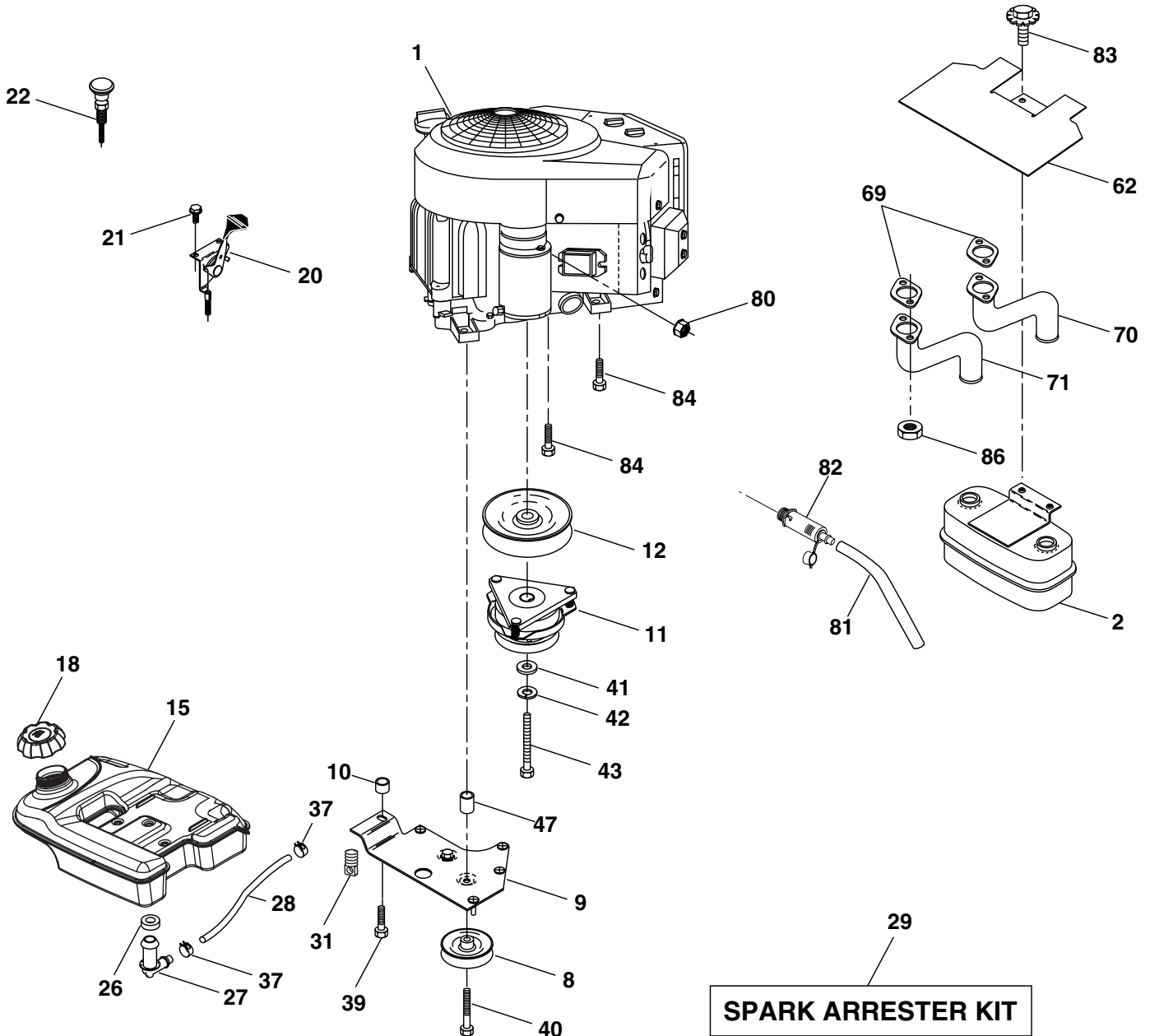
TRACTOR - - MODEL NO. GTH2554XP (HAU25H54B), PRODUCT NO. 954 17 02-28
STEERING ASSEMBLY

| KEY NO. | PART NO. | DESCRIPTION |
|---------|--------------|----------------------------------|
| 1 | 532 16 66-27 | Wheel Steering |
| 2 | 532 17 85-57 | Axle Asm. Front |
| 3 | 532 18 32-26 | Fitting Grease |
| 4 | 532 16 18-49 | Spindle Asm. LH |
| 5 | 532 16 18-48 | Spindle Asm. RH |
| 6 | 532 12 49-31 | Bearing Race Thrust Harden |
| 7 | 532 12 17-48 | Washer 25/32 x 1-5/8 x 16 Ga. |
| 8 | 812 00 00-29 | Ring Klip #T5304-75 |
| 9 | 532 12 12-32 | Cap Spindle |
| 10 | 874 78 10-44 | Bolt Fin Hex 5/8-11 x 2-3/4 |
| 11 | 532 13 65-18 | Spacer Brg Axle Front 1.570 |
| 12 | 873 90 10-00 | Nut Lock Flange 5/8-11 unc |
| 13 | 532 12 17-49 | Washer 25/32 x 1-1/4 x 16 Ga. |
| 14 | 810 04 06-00 | Washer Lock Hvy Hlcl Spr 3/8 |
| 15 | 873 54 06-00 | Nut Crownlock 3/8-24 |
| 16 | 532 18 68-14 | Shaft Asm. Steering |
| 18 | 532 18 77-99 | Draglink |
| 19 | 532 15 60-11 | Support Asm. Steering Vgt |
| 20 | 532 17 75-92 | Boot Steering |
| 21 | 532 15 99-45 | Adapter Wheel Steering |
| 22 | 532 15 51-05 | Bushing Strg. |
| 23 | 532 15 29-27 | Screw |
| 26 | 532 16 66-26 | Cap Wheel Steering |
| 27 | 532 12 49-37 | Bearing Col. Strg. |
| 28 | 817 00 06-12 | Screw 3/8-16 x 3/4 |
| 29 | 532 10 42-39 | Bearing Flange |
| 31 | 532 13 81-36 | Bushing Nylon Snap |
| 32 | 819 11 16-10 | Washer 11/32 x 1 x 10 Ga. |
| 33 | 810 04 05-00 | Washer Lock Hvy Hlcl Spr 5/16 |
| 34 | 874 78 05-12 | Bolt Hex Hd 5/16-18 x 3/4 |
| 35 | 532 18 70-39 | Gear Sector Steering |
| 36 | 532 18 67-99 | Tie Rod |
| 41 | 532 15 52-46 | Bracket Switch Inerlock VGT97 |
| 42 | 817 49 05-08 | Screw 5/16-18 x 1/2 |
| 44 | 532 17 75-93 | Extension Steering Premium |
| 45 | 819 18 24-11 | Washer 9/16 ID x 1-1/2 OD 11 Ga. |
| 46 | 819 13 16-10 | Washer FLat 13/32 x 1/10 Ga. |
| 47 | 532 17 94-71 | Bracket Asm. Idler |
| 49 | 532 17 58-20 | Pulley Idler Flat |
| 50 | 873 90 06-00 | Nut Lock Flg 3/8-16 unc |
| 51 | 873 94 08-00 | Nut Hex Jam Toplock 1/2-20 unf |
| 52 | 532 17 55-53 | Clip Steering |
| 53 | 532 18 89-67 | Washer Hardened |

NOTE: All component dimensions given in U.S. inches
1 inch = 25.4 mm

REPAIR PARTS

TRACTOR - - MODEL NO. GTH2554XP (HAU25H54B), PRODUCT NO. 954 17 02-28
ENGINE



engine-kawasaki_3 vgt

REPAIR PARTS

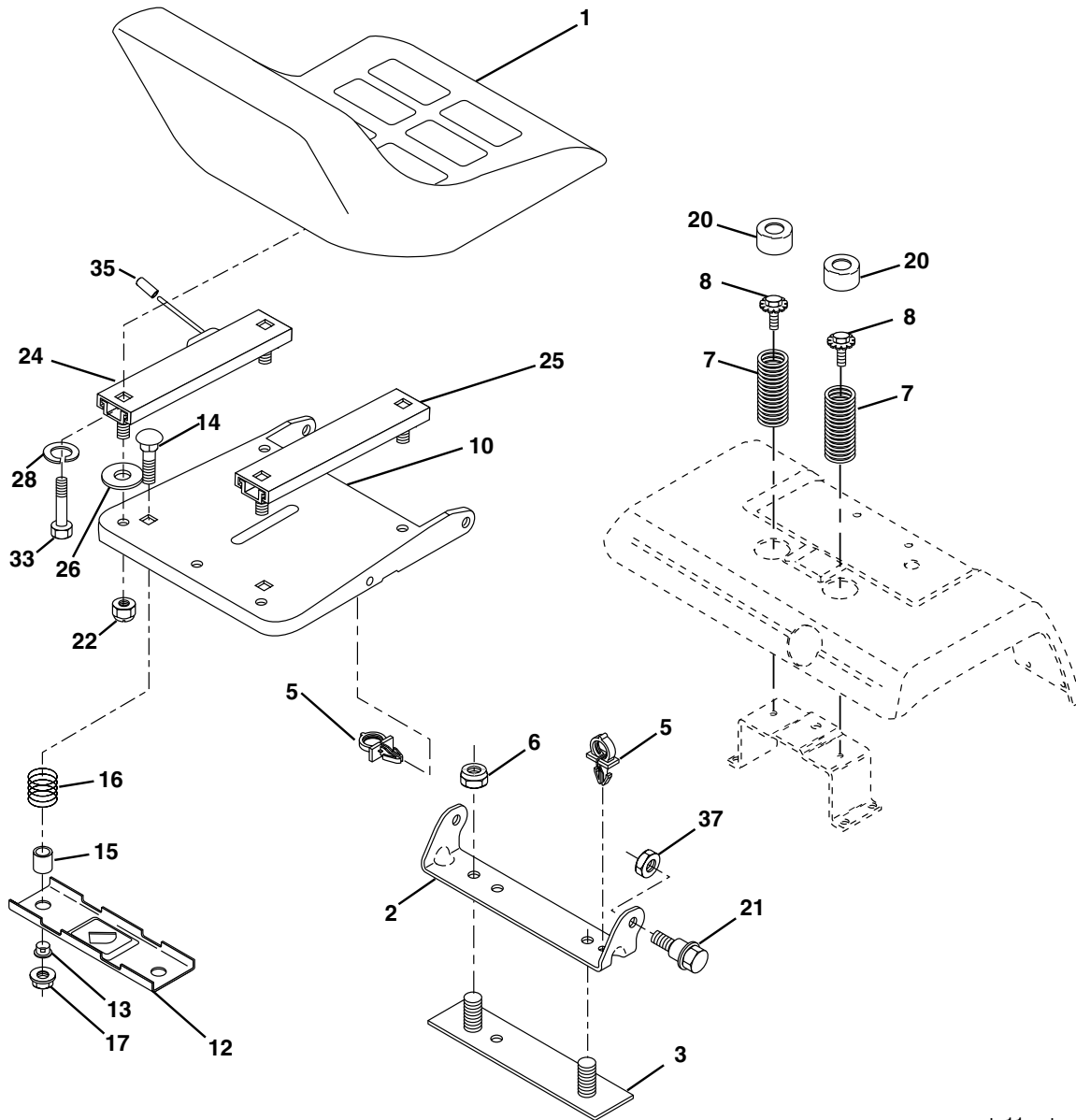
TRACTOR - - MODEL NO. GTH2554XP (HAU25H54B), PRODUCT NO. 954 17 02-28
ENGINE

| KEY NO. | PART NO. | DESCRIPTION |
|---------|--------------|--|
| 1 | --- -- -- | Engine Kawasaki Model No. FH721V (Order parts from engine manufacturer) |
| 2 | 532 14 97-23 | Muffler Side |
| 8 | 532 12 13-61 | Pulley V-Idler |
| 9 | 532 17 77-48 | Keeper Asm. Belt Engine VGT |
| 10 | 532 17 52-87 | Bushing |
| 11 | 532 17 93-35 | Clutch Electric |
| 12 | 532 14 39-96 | Pulley Engine VGT Elect Clutch |
| 15 | 532 17 91-15 | Tank Fuel |
| 18 | 532 18 18-03 | Cap Fuel |
| 20 | 532 17 81-47 | Control Throttle |
| 21 | 532 17 18-75 | Screw HWHD Hi-Lo #13-16 x 3/4 |
| 22 | 532 18 95-41 | Control Choke |
| 26 | 532 12 49-52 | Bushing |
| 27 | 532 13 92-77 | Stem Tank Fuel |
| 28 | 532 12 47-03 | Fuel Line |
| 29 | 532 13 71-80 | Spark Arrester Kit |
| 31 | 532 14 50-06 | Clip Push-In Hinged |
| 37 | 532 12 34-87 | Clamp Hose |
| 39 | 817 49 06-36 | Screw TT 3/8-16 x 2-1/4 unc |
| 40 | 817 49 06-64 | Screw TT 3/8-16 x 4 unc |
| 41 | 532 12 61-97 | Washer 1-1/2 OD x 15/32 ID x .250 |
| 42 | 810 04 07-00 | Washer Lock 7/16 |
| 43 | 532 17 99-53 | Bolt Hex 7/16-20 X 3.75 Gr. 5 |
| 47 | 532 17 52-88 | Bushing |
| 62 | 532 17 62-52 | Shield Heat Muffler |
| 69 | --- -- -- | Gasket (Order from engine mfg.) |
| 70 | 532 17 57-67 | Tube Exhaust RH |
| 71 | 532 17 57-66 | Tube Exhaust LH |
| 80 | 532 16 33-05 | Nut Flange M8-1.25 |
| 81 | 532 14 84-56 | Tube Drain Oil Easy |
| 82 | --- -- -- | Valve Oil Drain (Order from engine mfg.) |
| 83 | 532 17 18-77 | Bolt 5/16-18 unc x 1-3/4 W/Sems |
| 84 | 817 06 06-24 | Screw 3/8-16 x 1-1/2 |
| 86 | 532 18 43-62 | Nut Hex Flange Toplock M8-1.25 |

NOTE: All component dimensions given in U.S. inches
1 inch = 25.4 mm

REPAIR PARTS

TRACTOR - - MODEL NO. GTH2554XP (HAU25H54B), PRODUCT NO. 954 17 02-28
SEAT ASSEMBLY



seat_11-vgt

| KEY NO. | PART NO. | DESCRIPTION |
|---------|--------------|------------------------------|
| 1 | 532 18 49-95 | Seat |
| 2 | 532 14 05-51 | Bracket Pivot Seat |
| 3 | 532 14 06-75 | Strap Asm Fender |
| 5 | 532 14 50-06 | Clip Push In Hinged |
| 6 | 873 80 06-00 | Nut Crownlock 3/8-16 |
| 7 | 532 12 41-81 | Spring Seat Cprsn |
| 8 | 532 17 18-77 | Bolt 5/16-18 unc x 3/4 |
| 10 | 532 18 24-93 | Pan Seat |
| 12 | 532 12 12-46 | Bracket Mounting Switch |
| 13 | 532 12 12-48 | Bushing Snap |
| 14 | 872 05 04-12 | Bolt Carriage 1/4-20 x 1-1/2 |
| 15 | 532 12 12-49 | Spacer Split |
| 16 | 532 12 37-40 | Spring Cprsn |

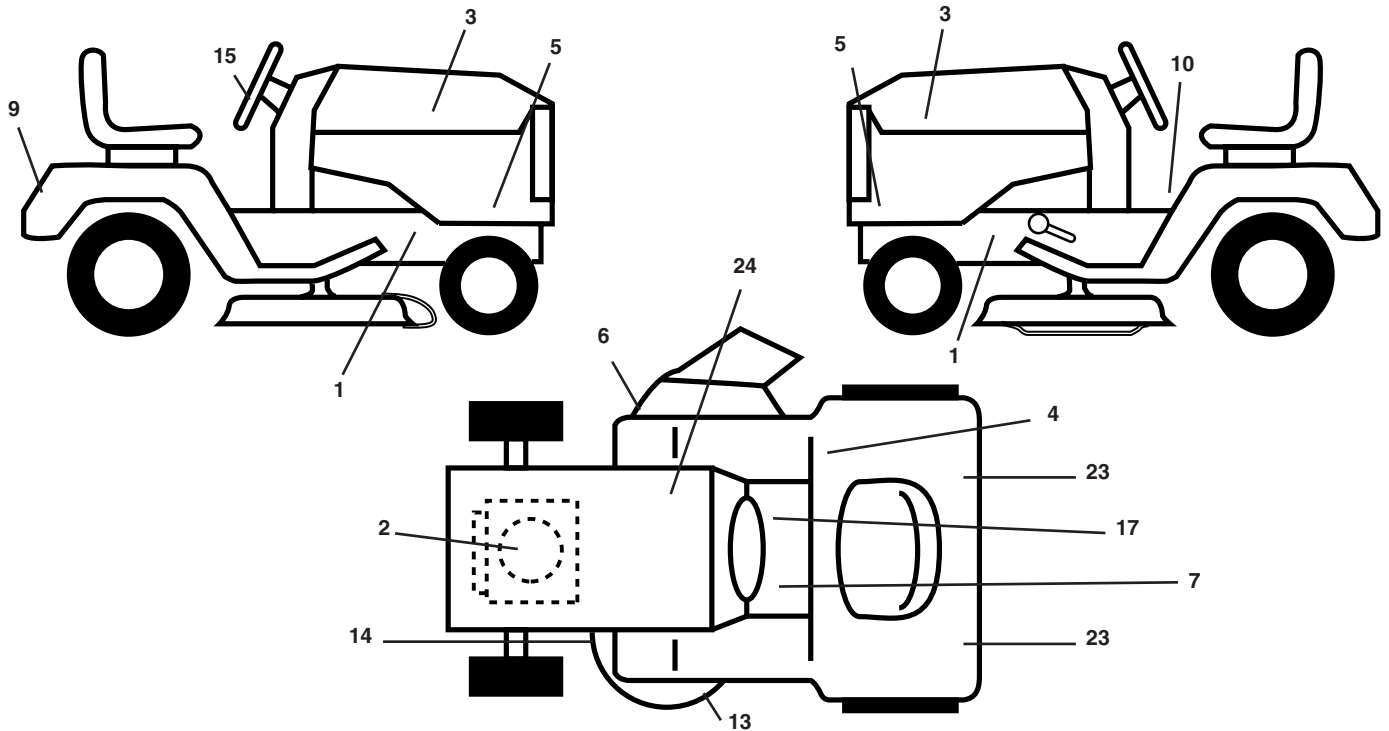
| KEY NO. | PART NO. | DESCRIPTION |
|---------|--------------|-----------------------------|
| 17 | 532 12 39-76 | Nut Lock 1/4 Lge Flg Gr. 5 |
| 20 | 532 12 42-38 | Cap Spring Seat |
| 21 | 532 17 18-52 | Bolt Shoulder 5/16-18 |
| 22 | 873 68 05-00 | Nut Crownlock 5/16-18 |
| 24 | 532 17 79-46 | Track Slide Seat LH Locking |
| 25 | 532 17 79-47 | Track Slide Seat RH Free |
| 26 | 819 11 10-12 | Washer 11/32 x 5/8 x 12 Ga. |
| 28 | 810 01 05-00 | Washer Split |
| 33 | 874 78 05-12 | Bolt Fin Hex 5/16-18 x 1 |
| 35 | 532 17 84-26 | Cap Vinyl |
| 37 | 873 80 05-00 | Nut Crownlock 5/16-18 |

NOTE: All component dimensions given in U.S. inches
1 inch = 25.4 mm

REPAIR PARTS

TRACTOR - - MODEL NO. GTH2554XP (HAU25H54B), PRODUCT NO. 954 17 02-28

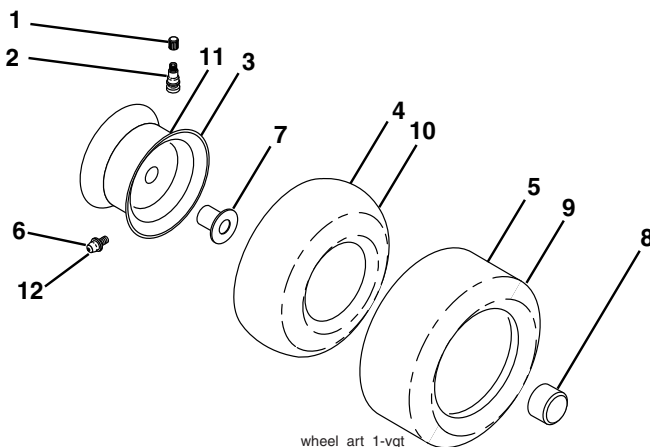
DECALS



| KEY NO. | PART NO. | DESCRIPTION |
|---------|--------------|---------------------------|
| 1 | 532 15 97-36 | Decal Chassis Hot Muffler |
| 2 | 532 18 56-93 | Decal Engine |
| 3 | 532 18 89-21 | Decal Hood |
| 4 | 532 16 88-69 | Decal Tick Mark |
| 5 | 532 19 11-59 | Decal Side Panel |
| 6 | 532 18 21-66 | Decal Warning |
| 7 | 532 15 97-37 | Decal Brake Clutch |
| 9 | 532 18 99-40 | Decal Fender |
| 10 | 532 14 54-98 | Decal Danger |
| 13 | 532 18 82-98 | Decal V-Belt Sch |

| KEY NO. | PART NO. | DESCRIPTION |
|---------|--------------|----------------------------|
| 14 | 532 17 85-02 | Decal Caution |
| 15 | 532 18 89-25 | Decal Ins. Strg Whl |
| 17 | 532 14 08-37 | Decal Saddle Brake Parking |
| 23 | 532 10 62-02 | Reflector Taillight |
| 24 | 532 14 50-05 | Decal Btry Dngr/Psn |
| -- | 532 16 25-98 | Decal Draw Bar Load Limit |
| -- | 532 16 69-60 | Decal Bypass |
| -- | 532 18 19-16 | Pad Ftrest LH |
| -- | 532 18 19-17 | Pad Ftrest RH |
| -- | 532 19 16-10 | Manual Owner's (English) |

WHEELS & TIRES

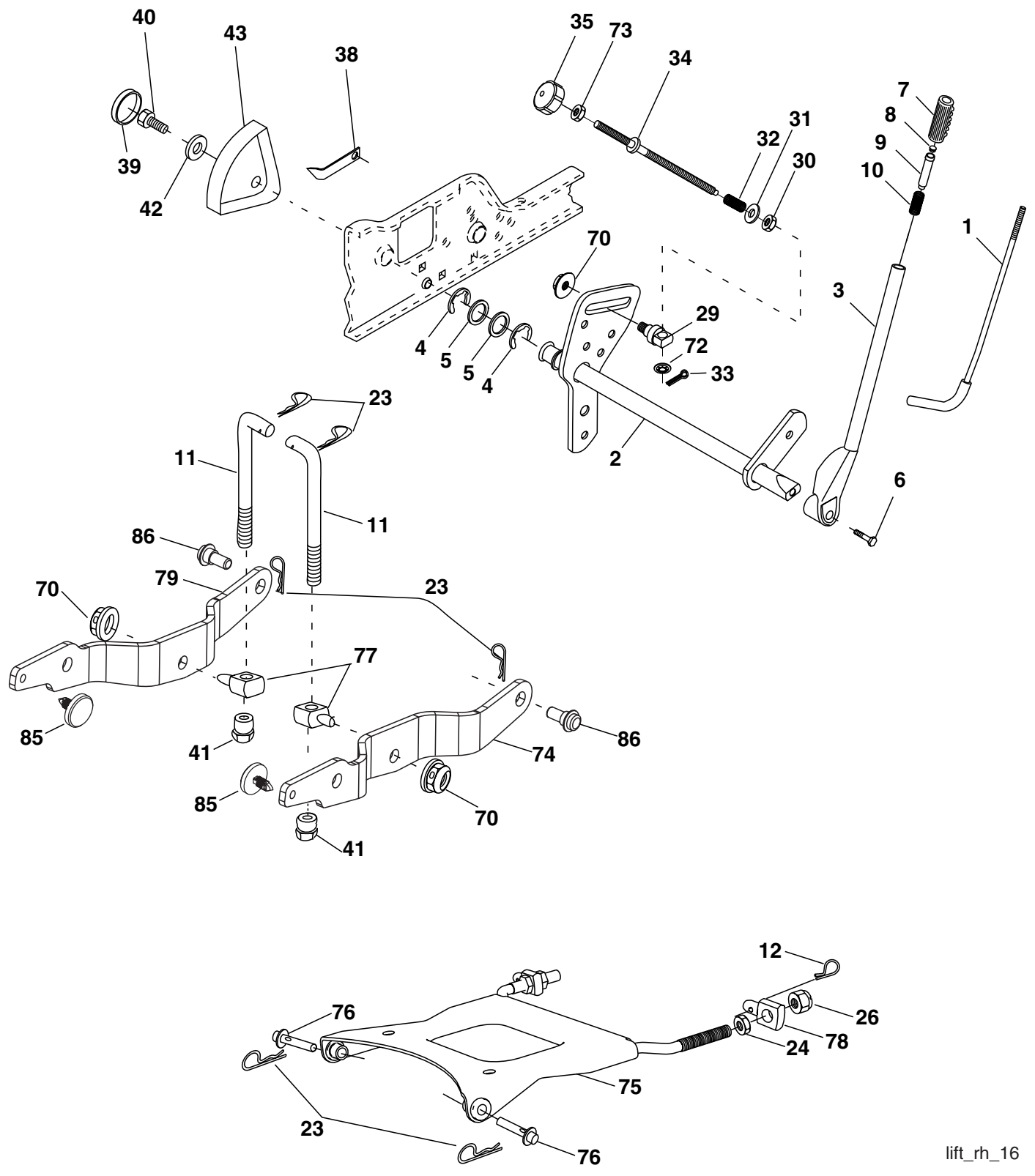


| KEY NO. | PART NO. | DESCRIPTION |
|---------|--------------|-----------------------------------|
| 1 | 532 05 91-92 | Cap Valve Tire |
| 2 | 532 06 51-39 | Stem Valve |
| 3 | 532 14 45-09 | Rim Assembly Front |
| 4 | 532 00 81-34 | Tube Front (Service Item Only) |
| 5 | 532 10 62-30 | Tire Front |
| 6 | 532 12 49-57 | Fitting Grease |
| 7 | 532 12 49-59 | Bearing Flange (Front Wheel Only) |
| 8 | 532 17 50-39 | Cap Hub |
| 9 | 532 10 55-88 | Tire Rear |
| 10 | 532 00 71-54 | Tube Rear (Service Item Only) |
| 11 | 532 14 45-10 | Rim Assembly, Rear |
| 12 | 532 12 48-60 | Fitting Grease |
| -- | 532 14 43-34 | Sealant Tire (10 oz. Tube) |

NOTE: All component dimensions given in U.S. inches
1 inch = 25.4 mm

REPAIR PARTS

TRACTOR - - MODEL NO. GTH2554XP (HAU25H54B), PRODUCT NO. 954 17 02-28
LIFT ASSEMBLY



lift_rh_16

REPAIR PARTS

TRACTOR - - MODEL NO. GTH2554XP (HAU25H54B), PRODUCT NO. 954 17 02-28
LIFT ASSEMBLY

| KEY NO. | PART NO. | DESCRIPTION |
|---------|--------------|---------------------------------|
| 1 | 532 12 10-06 | Rod Asm. Lever |
| 2 | 532 18 00-45 | Shaft Asm. Lift Vgt |
| 3 | 532 15 91-89 | Lever Asm. Lift Rh |
| 4 | 812 00 00-22 | E-Ring Truarc #5133-87 |
| 5 | 819 29 20-16 | Washer 29/32 x 1-1/4 x 16 Ga. |
| 6 | 871 11 06-24 | Bolt Fin Hex 3/8-16 x 1-1/2 |
| 7 | 532 12 56-31 | Grip Handle |
| 8 | 532 12 45-26 | Button Plunger |
| 9 | 532 12 23-64 | Plunger Lever Lift |
| 10 | 532 18 38-94 | Spring 0.620D x 2.125 |
| 11 | 532 17 53-75 | Link Lift |
| 12 | 532 16 35-52 | Retainer Spring |
| 23 | 532 12 46-70 | Retainer Spring |
| 24 | 873 35 08-00 | Nut Jam Hex 1/2-13 unc |
| 26 | 873 80 08-00 | Nut Lock W/Wsh 1/2-13 unc |
| 29 | 532 15 02-33 | Trunnion Infin Height |
| 30 | 532 11 08-07 | Nut Special |
| 31 | 819 13 10-16 | Washer 13/32 x 5/8 x 16 Ga. |
| 32 | 532 13 71-50 | Spring Compression Inf Hgt |
| 33 | 876 02 03-08 | Pin Cotter 3/32 x 1/2 |
| 34 | 532 13 71-67 | Rod Adj Lift |
| 35 | 532 13 80-57 | Knob Inf 3/8-16 unc |
| 38 | 532 15 50-97 | Pointer Height Indicator |
| 39 | 532 12 39-35 | Plug Hole Blk. 1.485/1.515 Dia. |
| 40 | 817 06 05-16 | Screw 5/16-18 x 1 |
| 41 | 532 17 59-94 | Nut Lift Link 7/16-20 |
| 42 | 819 11 24-10 | Washer 11/32 x 1-1/2 x 10 Ga. |
| 43 | 532 12 39-34 | Scale Indicator Height |
| 70 | 532 14 52-12 | Nut Hex Flange Lock |
| 72 | 532 11 04-52 | Nut Push Phos & Oil |
| 73 | 873 35 06-00 | Nut Hex Jam 3/8-16 unc |
| 74 | 532 18 72-77 | Arm Suspension Rear RH |
| 75 | 532 17 58-05 | Plate Asm. Susp. Front |
| 76 | 532 17 55-60 | Pin Flange |
| 77 | 532 17 62-05 | Trunion Susp. Arm |
| 78 | 532 17 56-89 | Trunnion Front Susp |
| 79 | 532 18 72-76 | Arm Suspension LH |
| 85 | 532 18 90-13 | Insert Wear |
| 86 | 532 18 85-28 | Bolt Shoulder |

NOTE: All component dimensions given in U.S. inches
1 inch = 25.4 mm

REPAIR PARTS

TRACTOR - - MODEL NO. GTH2554XP (HAU25H54B), PRODUCT NO. 954 17 02-28
MOWER DECK

| KEY NO. | PART NO. | DESCRIPTION |
|---------|---------------------|---|
| 1 | 532 18 72-95 | Deck Weldment Mower |
| 5 | 532 12 46-70 | Retainer Spring |
| 6 | 532 18 72-97 | Cover Mandrel LH |
| 7 | 532 18 81-87 | Cover Mandrel RH |
| 8 | 532 17 43-65 | Bolt 7/16 Asm. Blade |
| 11 | 532 18 72-54 | Blade Standard |
| 13 | 532 18 72-91 | Shaft Asm. w/Lower Bearing |
| 14 | 532 18 72-81 | Housing, Mandrel |
| 15 | 532 11 04-85 | Bearing Ball Mandrel |
| 17 | 872 11 05-05 | Bolt Carr. 5/16-18 x 5/8 |
| 21 | 873 68 05-00 | Nut Crownlock 5/16-18 unc |
| 25 | 532 17 81-02 | Spring Torsion |
| 26 | 532 11 04-52 | Nut Push |
| 27 | 532 18 89-38 | Deflector Shield |
| 29 | 532 13 14-91 | Rod Hinge |
| 30 | 532 17 39-84 | Screw Thd Roll |
| 31 | 532 18 76-90 | Washer Spacer Mower Vented |
| 32 | 532 17 78-65 | Pulley Mandrel |
| 33 | 532 17 83-42 | Nut Flg. Top Lock Cntr. 9/16 |
| 34 | 873 68 06-00 | Nut |
| 35 | 532 18 86-35 | Pin Suspension Rear |
| 36 | 819 13 13-16 | Washer 13/32 x 13/16 x 16 Ga. |
| 38 | 532 18 86-57 | Spring Compression |
| 39 | 532 18 72-84 | Pulley Idler Stationary |
| 42 | 532 16 57-23 | Spacer Retainer |
| 43 | 532 18 72-78 | Arm Idler |
| 46 | 532 13 77-29 | Screw Thdroll. 1/4-20 x 5/8 |
| 47 | 532 19 12-73 | V-Belt Mower Secondary |
| 49 | 873 90 06-00 | Nut Lock Flg. 3/8-16 unc |
| 50 | 872 11 06-16 | Bolt Carr. 3/8-16 x 2 |
| 51 | 872 11 06-10 | Bolt 3/8-16 x 1-1/4 Gr. 5 |
| 52 | 532 18 84-60 | Pulley Idler clutching |
| 56 | 532 15 59-86 | Bar Pnt Adj. |
| 57 | 532 15 69-41 | Pin Head Rivet |
| 58 | 532 18 73-42 | Baffle Right |
| 59 | 532 18 73-44 | Baffle Left |
| 60 | 532 18 76-07 | Baffle Center |
| 90 | 874 76 05-16 | Bolt 5/16-18 x 1 |
| 91 | 532 18 05-35 | Bracket Asm N Roller RH |
| 94 | 532 17 60-66 | Roller Nose 48" |
| 95 | 532 18 05-34 | Bracket N Roller LH |
| 97 | 819 13 32-10 | Washer Harden |
| 98 | 532 18 72-82 | Spring Clutch Drive |
| 113 | 872 11 05-08 | Bolt Rdhd Sqnk 5/16-18 unc x 3/4 |
| 114 | 532 18 75-56 | Rod Tension Relief |
| 116 | 532 18 42-19 | Bolt Shoulder |
| 117 | 532 13 39-57 | Gauge Wheel |
| 118 | 873 93 06-00 | Nut Centerlock 3/8-16 unc |
| 119 | 819 12 14-14 | Washer 3/8 x 7/8 x 14 Ga. |
| 122 | 532 18 75-57 | Bushing Tension Relief |
| 180 | 873 80 05-00 | Nut 5/16-18 |
| 182 | 532 17 91-27 | Rod Roller Nose Narrow |
| 183 | 532 16 35-52 | Retainer Spring |
| -- | 532 18 72-92 | Mandrel Asm. Service (Includes Key Nos. 13-15 and 33) |
| -- | 532 18 83-77 | Replacement Mower Complete (Std. deck order separately nose roller components key nos. 90, 91, 94, 95, 180, 182, 183) |

NOTE: All component dimensions given in U.S. inches 1 inch = 25.4 mm